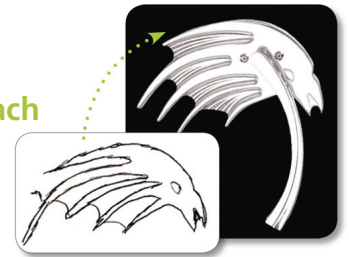
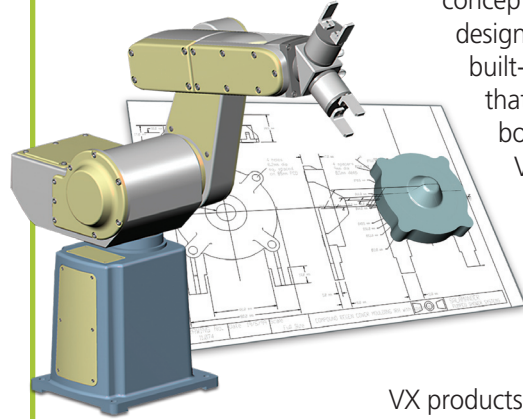


VX Innovator

High End within Reach



VX Innovator is an excellent foundational product that contains a great set of modeling and assembly tools for conceptual and mechanical design. It comes with a built-in learning system that works like a 3D book. Users can learn VX at their own pace and on their own schedule.



Innovator utilizes the same VX Overdrive kernel as all other

VX products, ensuring a rock-solid foundation and a seamless upgrade path.

You also get open shape modeling and basic surfacing tools as well as a complete set of translators.

VX Innovator provides you with all of the tools necessary

for creating and delivering 2D drawing layouts of parts and assemblies including BOMs.

It is also a fantastic tool for engineering managers and design reviewers to check drawings and models created with VX Designer, Mold & Die or models developed with other CAD systems. VX Innovator is an affordable tool for helping you quote jobs by importing measuring and making quick 2D layouts.

Another important feature is its scalability to all other VX products, ensuring a seamless migration for advancing to Class A Surfacing, shape morphing, reverse engineering, rapid prototyping, mold & die design, 2 to 5-axis machining and much more.

VX Innovator is the perfect all around product for getting started – serious enough for heavy duty design work, yet at less than \$1,000, affordable enough for startup entrepreneurs and hobbyists on tight budgets.

Design Better Products

- ▷ Hybrid solid and surfaces modeling kernel
- ▷ Advanced parametric solid modeling
 - ▷ Reduce sketching with QuickShape™ and ReadySketch™
 - ▷ Open shape modeling
- ▷ Surfacing
 - ▷ Loft, Sweep & Dome
 - ▷ Basic surface editing
- ▷ Convert an image into a sketch for 3D modeling
- ▷ Advanced assembly modeling
 - ▷ Top Down
 - ▷ In place assembly modeling
 - ▷ Exploded Views
- ▷ Interface Checking
- ▷ Model Repair & healing
- ▷ 2D Layout & Drafting
 - ▷ Section Views, Detail Views, Aux. Views
 - ▷ Complete dimensioning and annotation
 - ▷ Assembly BOM and Ballooning
- ▷ Industry standard CAD formats support
 - ▷ DXF, DWG, IGES, STEP, X_T, VDA
- ▷ Show-n-Tell™ - A Virtual 3D Book (tutorials & authoring tools)

“I was surprised that VX was so easy to use. The learning curve was really quick.”
- Bioplastics

Competitive Comparisons

Base Features	VX Innovator	Alibre	Space Claim	Rhino
Parametric Modeling	X	X		Uses Alibre
Hybrid Modeling	X		Uses Rhino	
Import and Work with Solids	X	X	X	X
Import and Work with Surfaces	X	Uses Rhino	Uses Rhino	X
Healing Tools	X			
Complex Modeling	X		X	X
2D Detailing	X	X	X	
True Assembly Modeling	X	X	X	
Scalability	VX Innovator	Alibre	Space Claim	Rhino
High-End Class A Surfacing	Scale up	Buy Rhino	Buy Rhino	X
Mold & Die	Scale up	New Product	New Product	
2X Machining	Scale up	Add-on	New Product	Add-on
3X Machining	Scale up	Add-on	New Product	Add-on
5X Machining	Scale up	Add-on	New Product	Add-on



800.683.9222

sales@vx.com | vx.com

Products Comparison Table

	INNOVATOR	DESIGNER	MOLD & DIE	3D MACHINIST	END-TO-END
CORE DESIGN	VX Overdrive Kernel	X	X	X	X
	Sketching, QuickShapes	X	X	X	X
	Hybrid Shape Modeling	X	X	X	X
	Translators	X	X	X	X
	Feature Modeling	X	X	X	X
	Assembly Modeling	X	X	X	X
	2D Layout & Detailing	X	X	X	X
	Geometry Healing	X	X	X	X
	Show-n-Tell™	X	X	X	X
ADVANCED DESIGN	Links to FEA, PDM, CMM		X	X	X
	3D Wire Frame Tools		X	X	X
	Advanced 3D Modeling		X	X	X
	Freeform Surfacing		X	X	X
	Expert Assembly & Motion		X	X	X
	Sheet Metal		X	X	X
	Reverse Engineering		X	X	X
	Real-view & Checking		X	X	X
	Photo-realistic Rendering		X	X	X
Design Optimize/Compare		X	X	X	
MOLD & DIE	Core/Cavity QuickSplit		X		X
	Parting Lines/Surfaces		X		X
	Basic Mold Base Library		X		X
	Cooling Channels		X		X
	Slides & Inserts		X		X
	Electrodes & Tables		X		X
CAM	2-Axis Milling			X	X
	Auto-feature Tactics			X	X
	3-Axis Surface Milling			X	X
	QuickMill™ High Speed Milling			X	X
	Smoothflow™ AFC			X	X
	VX Post Processor			X	X
	CNC Output Manager			X	X
Solid Verification				X	X

VX CAD/CAM System Requirements

Following is the minimum configuration for the operation of VX.

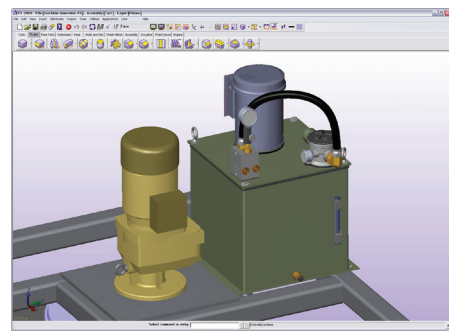
- ⦿ Intel/AMD 1 GHz and up
- ⦿ 1GB RAM - PC 133 SDRam
- ⦿ 500 MB Hard Disk space for installation
- ⦿ 1GB swap space
- ⦿ 3 Button wheel mouse
- ⦿ NVIDIA Chipset video card
- ⦿ Monitor with 1280 x 1024 16 Bit Color Video Resolution
- ⦿ Supports Windows 2000, XP, Vista

Required for Licensing:

- ⦿ An Ethernet card OR hardware key (available for USB or parallel port)
- ⦿ VX supports the Spaceball mouse

Floating License requirement:

- ⦿ The installation of the TCP/IP network protocol



Accelerate Modeling and Machining Success

800.683.9222 | sales@vx.com | vx.com